

**RYOBI
ELECTRIC PRESSURE WASHER
ITEM NO. RY141600
MFG. NO. 090079268
REPLACEMENT PARTS LIST**

TECHTRONIC INDUSTRIES POWER EQUIPMENT

1428 Pearman Dairy Road, Anderson, SC 29625

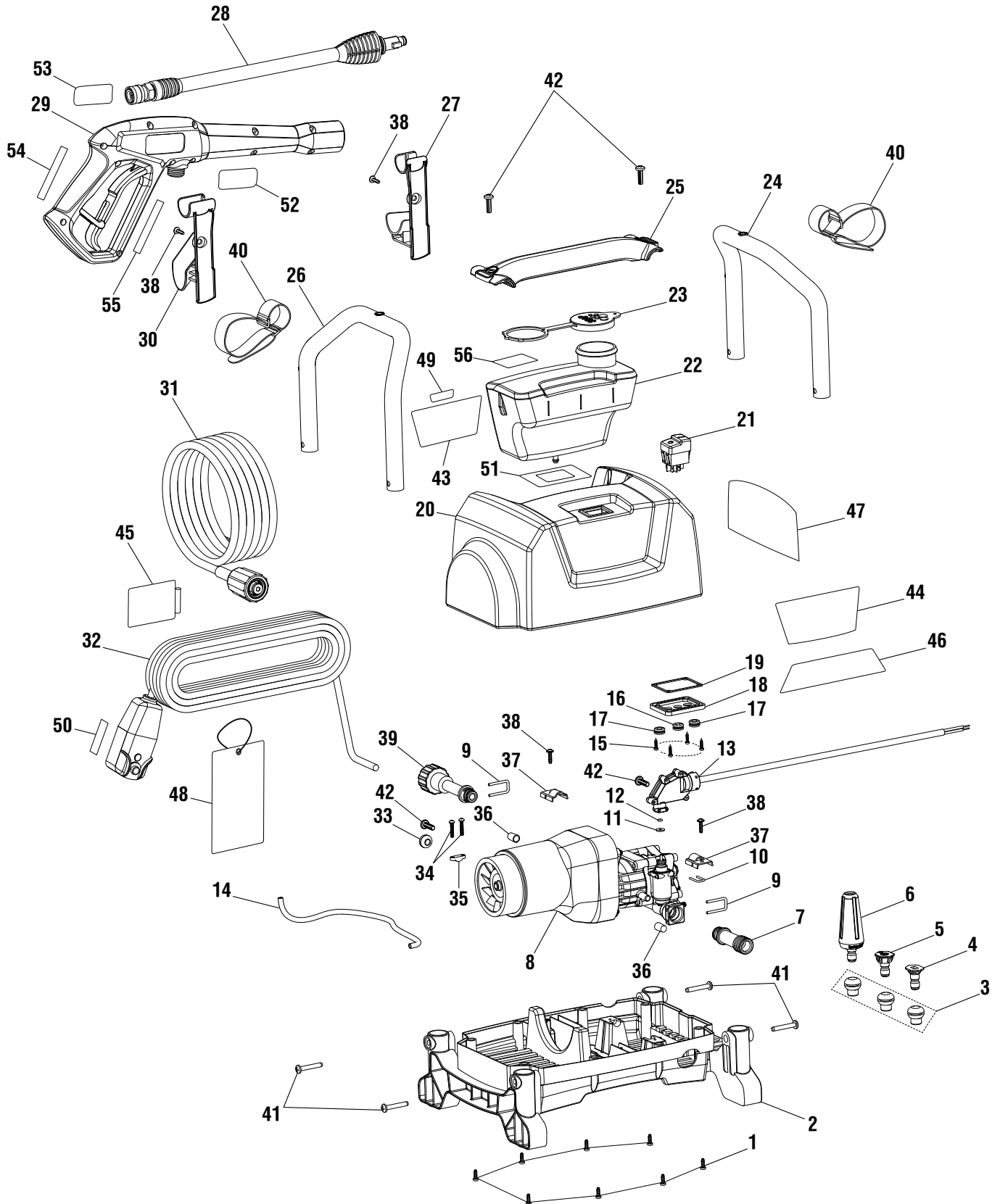
Phone 1-800-860-4050

www.ryobitools.com

991000344

5-6-15 (Rev:01)

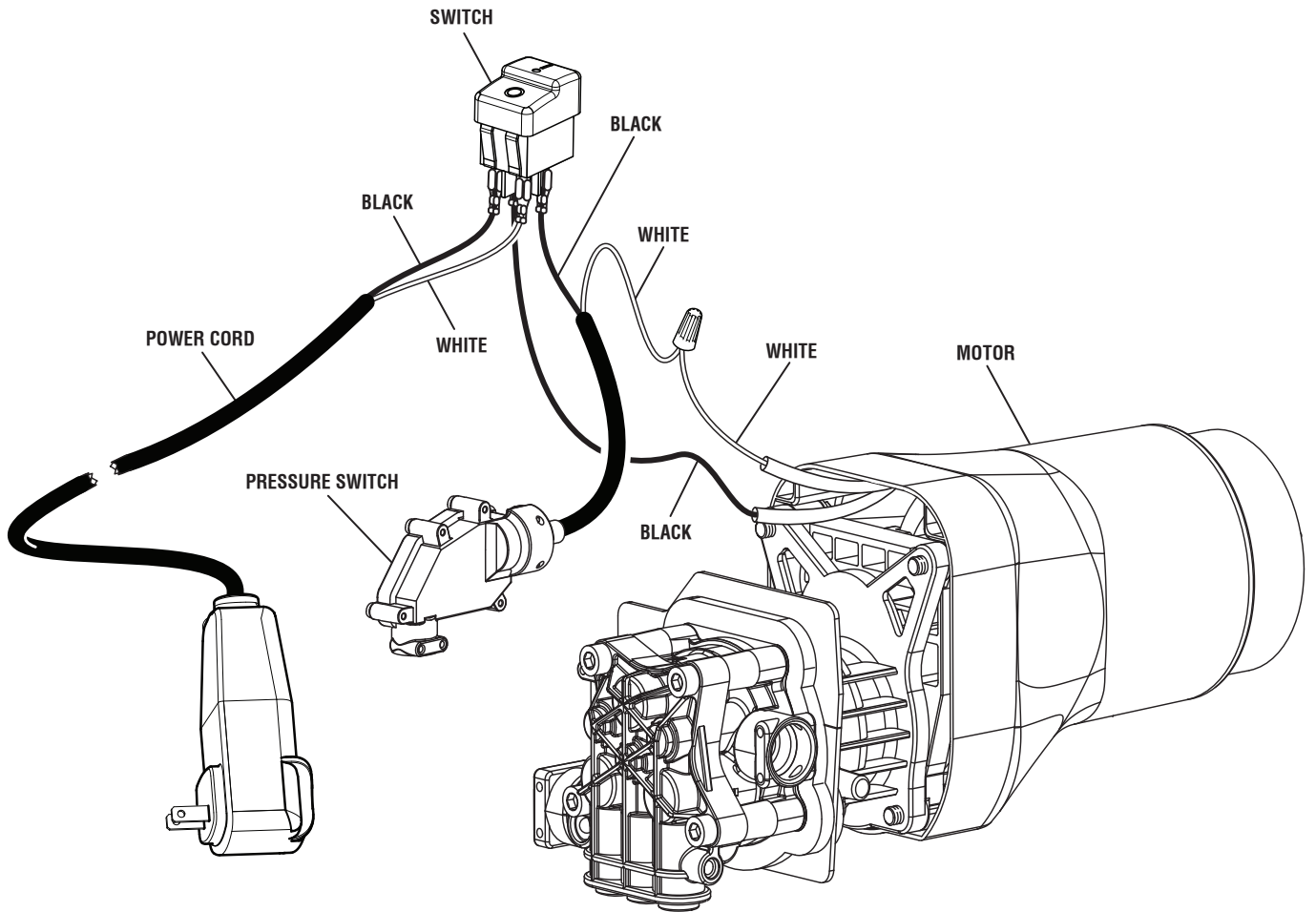
RYOBI ELECTRIC PRESSURE WASHER – MODEL NO. RY141600



RYOBI ELECTRIC PRESSURE WASHER – MODEL NO. RY141600

The item number will be found on a label attached to pump housing. Always mention the model number in all correspondence regarding your **PRESSURE WASHER** or when ordering replacement parts.

KEY NO.	PART NUMBER	DESCRIPTION	QTY	KEY NO.	PART NUMBER	DESCRIPTION	QTY
1	661403016	Screw (M4 x 15 mm)	8	32	290426012	Power Cord	1
2	522038009	Lower Motor Housing	1	33	561383025	Grommet	1
3	561383021	Nozzle Grommet	3	34	661610008	Screw (M3.5 x 20 mm)	2
4	308706013	Soap Nozzle	1	35	522051003	Cord Clamp	1
5	308698028	15° Nozzle	1	36	570570002	Bushing	2
6	308311014	Turbo Nozzle	1	37	636204001	Motor Clamp Plate	2
7	308862007	Outlet Tube Assembly	1	38	661403014	Screw (M4 x 12 mm)	4
8	308833014	Motor and Pump Assembly	1	39	308861006	Inlet Tube Assembly	1
9	678799013	“U” Clip	2	40	310801007	Hose Storage Strap	2
10	678799014	“U” Clip	1	41	660590004	Bolt (M6 x 35 mm)	4
11	638397003	Washer (Brass)	1	42	660481019	Bolt (M6 x 20 mm)	4
12	570742071	O-Ring	1	43	940617145	Quick Start Label	1
13	310870002	Pressure Switch	1	44	940705264	Ryobi Logo Label	1
14	561399013	Detergent Suction Hose	1	45	940324013	Cord Wrap Label	1
15	661403015	Screw (M3 x 14 mm)	4	46	940779141	Performance Label	1
16	561383024	Grommet	1	47	940707038	Danger Label	1
17	561383012	Grommet	2	48	940473008	Warning Hangtag	1
18	570417002	Switch Cover	1	49	941486008	Inquires Label	1
19	570740016	Switch Cover Gasket	1	50	940603006	Cord Plug Label	1
20	522032009	Top Motor Housing	1	51	940698033	On/Off Switch Label	1
21	760504007	Switch	1	52	940786027	Trigger Handle Label	1
22	310658012	Detergent Tank Assembly	1	53	940324030	Trigger Handle Warning Label (English)	1
23	310650007	Detergent Tank Cap	1	54	940324024	Trigger Handle Warning Label (French/Spanish)	1
24	308582059	Left Frame Assembly	1	55	940904003	Trigger Handle Rating Label	1
25	527648003	Handle Assembly	1	56	941608005	Detergent Tank Label	1
26	308582060	Right Frame Assembly	1				
27	519313015	Trigger Handle Holder (Left)	1				
28	308494065	Spray Wand	1				
29	308760040	Trigger Handle	1				
30	519313016	Trigger Handle Holder (Right)	1				
31	308835074	High Pressure Hose	1				
					Not Shown:		
					991000342	Operator's Manual	
					991000343	Quick Reference Guide	



WIRING DIAGRAM